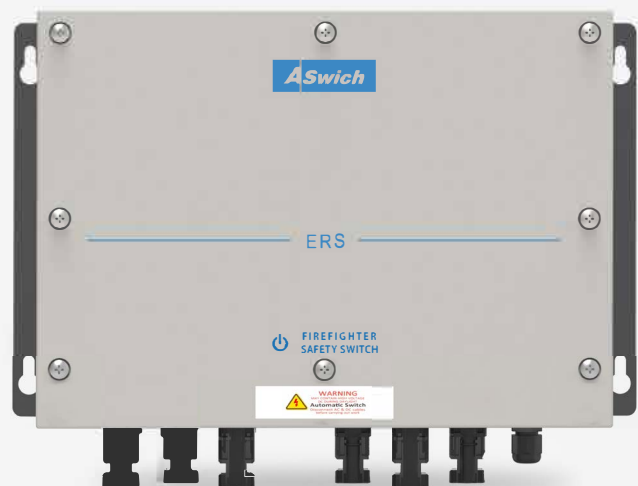


# DC Rapid Shutdown Switch

## ERS-6/8 Series

Leading Manufacturer Protects Solar Power Safety

Rev2.0 2022/04/11



## ERS-2/4 Series



### Product Benefits



- Max shut down one or two strings modules
- Maximum circuit current 55A
- Maximum circuit voltage 1500vdc
- CE certificated
- PC + ABS material, IP66 protection grade
- Multi clock interface type optional (knockout hole / gland / MC4 terminal)
- The Isolation switches are TUV.CE.CB.SAA certificated
- Waterproof Vent valve to avoid condensation inside the shell
- Advanced temperature sensor is used to detect the highest temperature in the shell in real time temperature, when the internal temperature exceeds 70 degrees, automatic cut-off switch
- It is suitable for residential, industrial and commercial photovoltaic systems

Product naming				
E	RS	□	-	□
1	2	3	4	5

Code	Name	Description
1	<b>ASwich</b> brand	E
2	Rapid Shut-down Switch	RS
3	Rated Current	13:13A 20:20A 25:25A 40:40A 50:50A
4	Pole	2: 2P / 4: 4P / 4B
5	Wiring	Mc4: MC4 terminal / Blank

# DC RAPID SHUTDOWN SWITCH

## ERS-2/4 Series

### ■ Main parameter

Standard	Data
Main parameter	ERS
String voltage (VDC)	300~1500
String current (A)	9~55
Circuit	1/2
Connection mode of Isolation switch	2/4/4B
Working voltage	100Vac - 270Vac
Rated voltage	230Vac
Rated current	30mA
Starting (loading) current	100mA(AVG)
Action current	300mA(Max)
Contact action condition	24Vdc -300mA(Max)
Operating temperature	-20°C - +50°C
Maximum temperature before automatic shutdown	+70°C
Storage temperature	-40°C - +85°C
Protection level	IP66
Over current protection	II
Authentication	CE
The DC isolation switch meets the standard	EN 60947-1&3
Mechanical life	10000
Number of loaded operations (PV1)	>1500

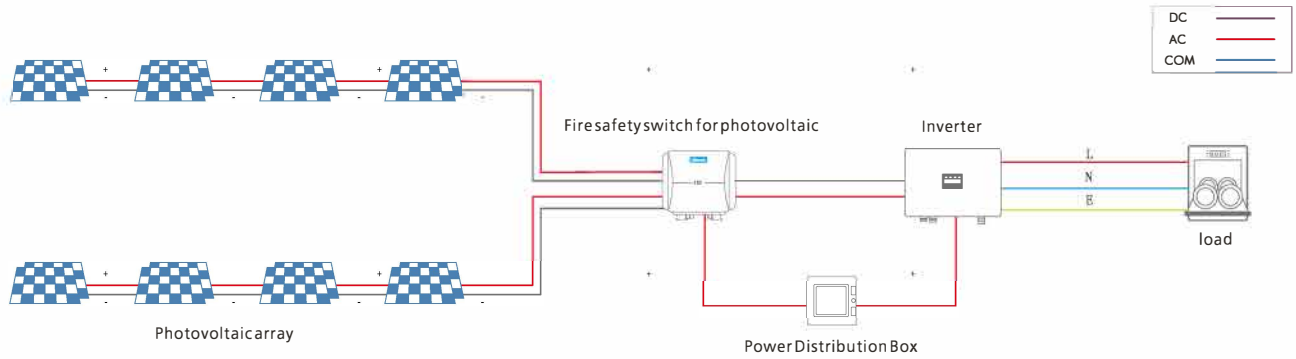
### ■ Technical data

Data of ERS refer to built-in DC isolators Data according to IEC 60947-3(ed.3.2):2015,UL508i.Utilization category DC-PV1.					Pole number	Circuit	Model
600V	800V	1000V	1200V	1500V			
32	26	13	10	5	2	1	ERS13-2
40	30	20	12	6	2	1	ERS20-2
55	40	25	15	8	2	1	ERS25-2
/	50	40	30	20	2	1	ERS40-2
/	55	50	40	30	2	1	ERS50-2
32	26	13	10	5	4	2	ERS13-4
40	30	20	12	6	4	2	ERS20-4
55	40	25	15	8	4	2	ERS25-4
/	50	40	30	20	4	2	ERS40-4
/	55	50	40	30	4	2	ERS50-4
32	26	13	10	5	4	1	ERS13-4B
40	40	40	30	20	4	1	ERS20-4B
/	/	55	40	30	4	1	ERS25-4B
/	/	/	/	45	4	1	ERS40-4B
/	/	/	/	50	4	1	ERS50-4B

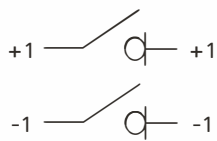
According to EN60947-3, AS/NZS 60947-3

## ERS-2/4 Series

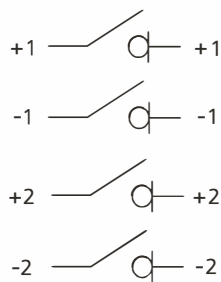
### ■ Sketch Map



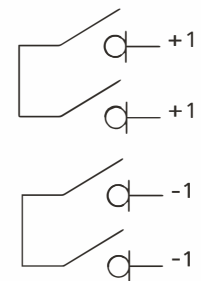
### ■ Wiring diagram



2



4

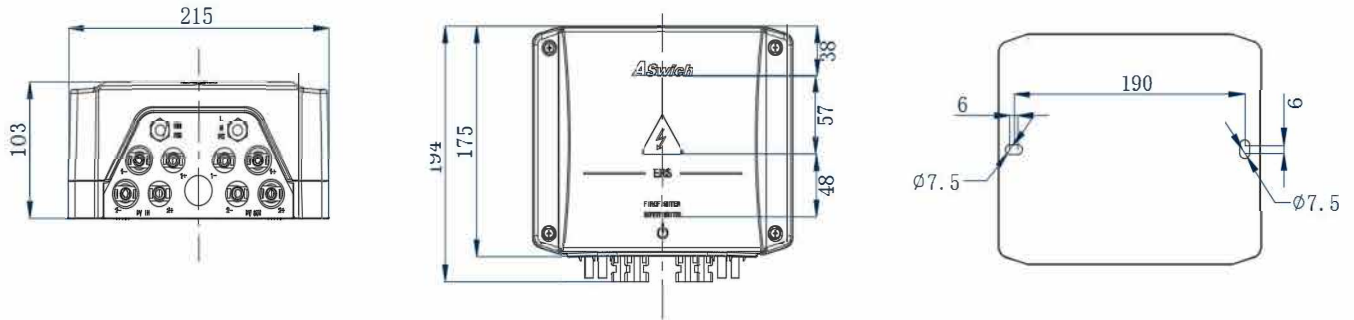


4B

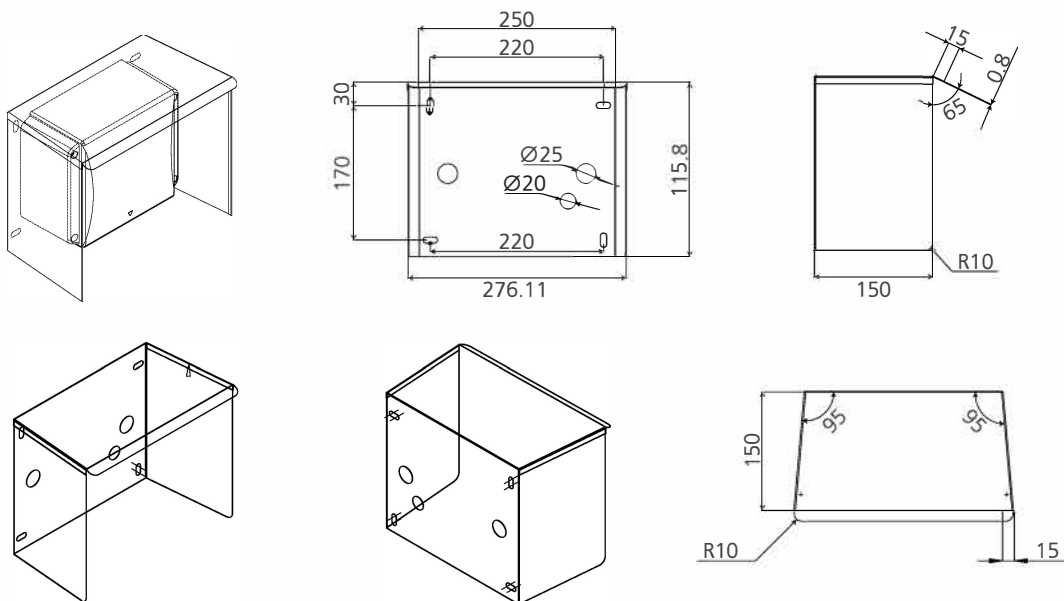
# DC RAPID SHUTDOWN SWITCH

## ERS-2/4 Series

### ■ Product size



### ■ Package size



Note: the fire safety switch cannot be installed in the place with direct sunlight, and the sun visor is recommended.

## ERS-6/8 Series



### Product features



- Suitable for 3-string, 4-string, 5-string modules
- Maximum circuit current 55A
- Maximum circuit voltage 1500vdc
- CE certificated
- Sheet metal material, IP66 protection grade
- Multi clock interface type optional (knockout hole / gland / MC4 terminal)
- The Isolation switches are TUV.CE.CB.SAA certificated
- Waterproof Vent valve to avoid condensation inside the shell
- Advanced temperature sensor is used to detect the highest temperature in the shell in real time temperature, when the internal temperature exceeds 70 degrees, automatic cut-off switch
- It is suitable for residential, industrial and commercial photovoltaic systems

Product naming				
E	RS	□	-	□
1	2	3	4	5

Code	Name	Description
1	<b>ASwich</b> brand	E
2	Rapid Shut-down Switch	RS
3	Rated Current	13:13A 20:20A 25:25A 40:40A 50:50A
4	Pole	6:6P 8:8P
5	Wiring	Mc4: MC4 terminal / Blank

# DC RAPID SHUTDOWN SWITCH

## ERS-6/8 Series

### ■ Main parameter

Standard	Data
Main parameter	ERS
String voltage (VDC)	300~1500
String current (A)	9~55
Circuit	3/4/5
Connection mode of Isolation switch	6/8
Working voltage	100Vac - 270Vac
Rated voltage	230Vac
Rated current	30mA
Starting (loading) current	100mA(AVG)
Action current	300mA(Max)
Contact action condition	24Vdc -300mA(Max)
Operating temperature	-20°C - +50°C
Maximum temperature before automatic shutdown	+70°C
Storage temperature	-40°C - +85°C
Protection level	IP66
Over current protection	II
Authentication	CE
The DC isolation switch meets the standard	EN 60947-1&3
Mechanical life	10000
Number of loaded operations (PV1)	>1500

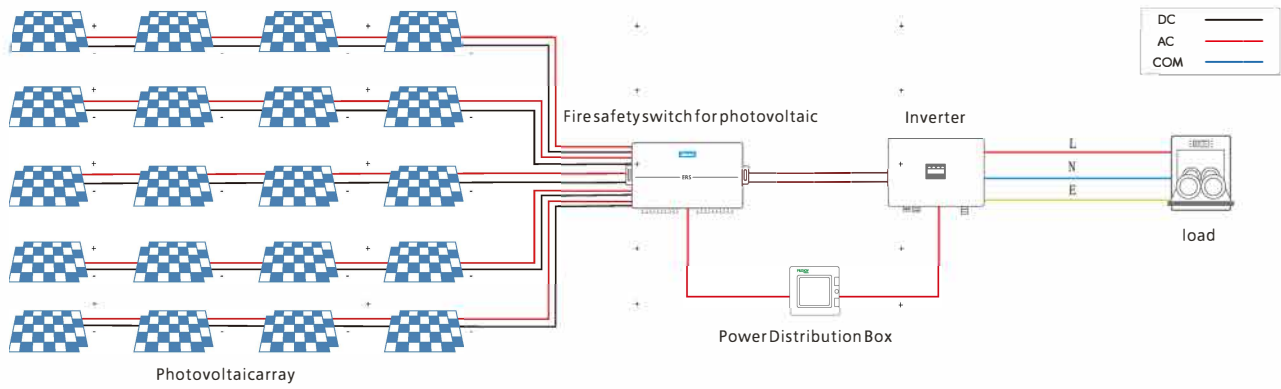
### ■ Technical data

Data of ERS refer to built-in DC isolators. Data according to IEC 60947-3(ed.3.2):2015,UL508i.Utilization category DC-PV1.						Pole number	Circuit	Model
600V	800V	1000V	1200V	1500V				
32	26	13	10	5	6	3	ERS13-6	
40	30	20	12	6	6	3	ERS20-6	
55	40	25	15	8	6	3	ERS25-6	
/	50	40	30	20	6	3	ERS40-6	
/	55	50	40	30	6	3	ERS50-6	
32	26	13	10	5	8	4	ERS13-8	
40	30	20	12	6	8	4	ERS20-8	
55	40	25	15	8	8	4	ERS25-8	
/	50	40	30	20	8	4	ERS40-8	
/	55	50	40	30	8	4	ERS50-8	

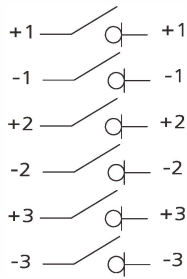
According to EN60947-3, AS/NZS 60947-3

## ERS-6/8 Series

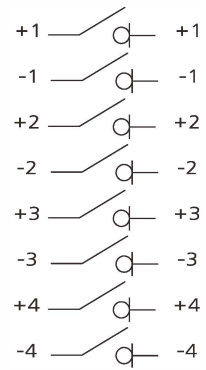
### ■ Sketch Map



### ■ Wiring diagram



6



8

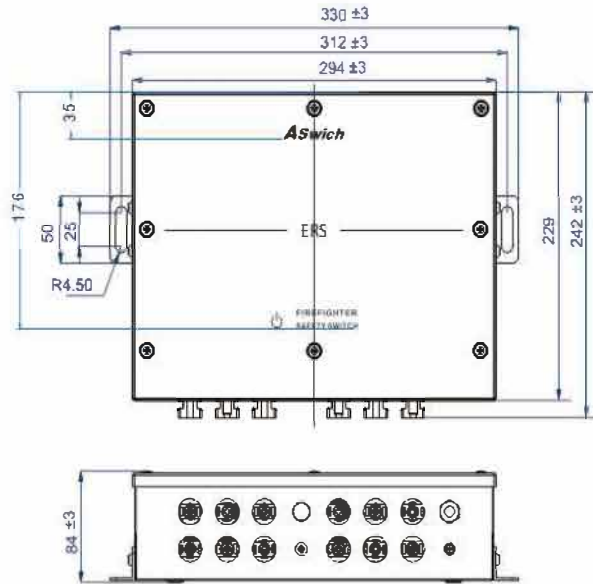


# DC RAPID SHUTDOWN SWITCH

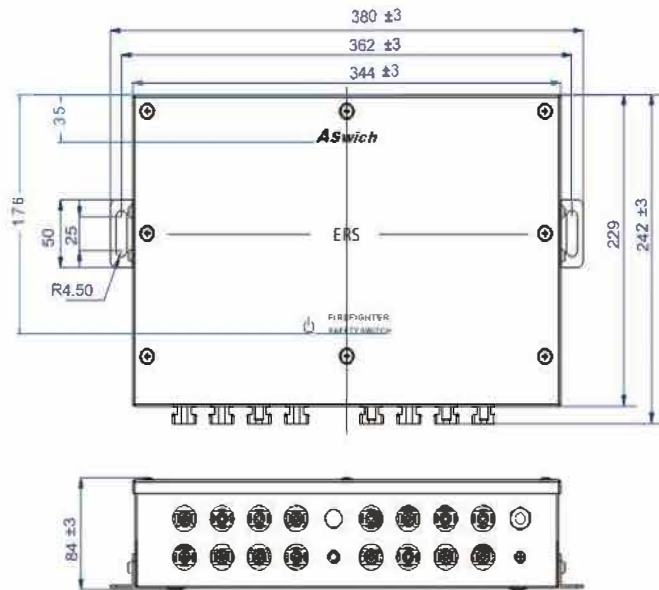
## ERS-6/8 Series

### ■ Product size

6P



8P



Note: the fire safety switch cannot be installed in the place with direct sunlight, and the sun visor is recommended.

## ERS-10 Series



### ■ Product features



- Suitable for 3-string,4-string,5-string modules
- Maximum circuit current 55A
- Maximum circuit voltage 1500vdc
- CE certificated
- Sheet metal material, IP66 protection grade
- Multi clock interface type optional (knockout hole / gland / MC4 terminal)
- The Isolation switches are TUV.CE.CB.SAA certificated
- Waterproof Vent valve to avoid condensation inside the shell
- Advanced temperature sensor is used to detect the highest temperature in the shell in real time temperature, when the internal temperature exceeds 70 degrees, automatic cut-off switch
- It is suitable for residential, industrial and commercial photovoltaic systems

Product naming				
E	RS	□	-	□
1	2	3	4	5

Code	Name	Description
1	<b>ASwivch</b> brand	E
2	Rapid Shut-down Switch	RS
3	Rated Current	13:13A 20:20A 25:25A 40:40A 50:50A
4	Pole	10:10P
5	Wiring	Mc4: MC4 terminal / Blank

# DC RAPID SHUTDOWN SWITCH

## ERS-10 Series

### Main parameter

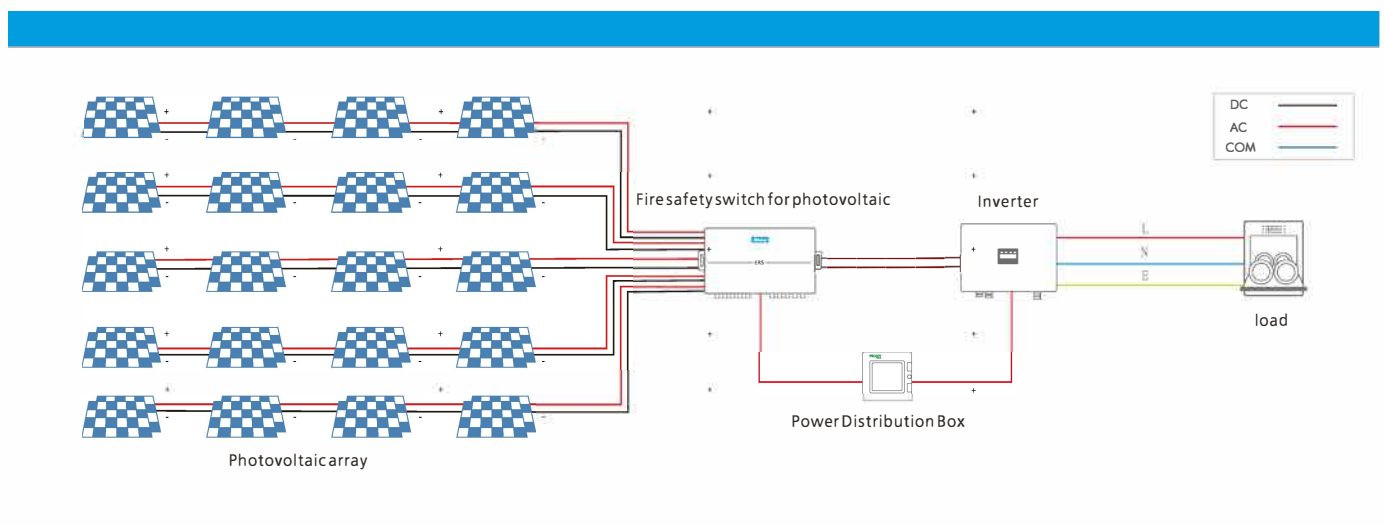
Standard	Data
Main parameter	ERS
String voltage (VDC)	300~1500
String current (A)	9~55
Circuit	3/4/5
Connection mode of Isolation switch	10
Working voltage	100Vac - 270Vac
Rated voltage	230Vac
Rated current	30mA
Starting (loading) current	100mA (AVG)
Action current	300mA (Max)
Contact action condition	24Vdc -300mA (Max)
Operating temperature	-20°C - +50°C
Maximum temperature before automatic shutdown	+70°C
Storage temperature	-40°C - +85°C
Protection level	IP66
Over current protection	II
Authentication	CE
The DC isolation switch meets the standard	EN 60947-1&3
Mechanical life	10000
Number of loaded operations (PV1)	>1500

### Technical data

Data of ERS refer to built-in DC isolators. Data according to IEC 60947-3(ed.3.2):2015,UL508i.Utilization category DC-PV1.						Pole number	Circuit	Model
600V	800V	1000V	1200V	1500V				
32	26	13	10	5	10	5	ERS13-10	
40	30	20	12	6	10	5	ERS20-10	
55	40	25	15	8	10	5	ERS25-10	
/	50	40	30	20	10	5	ERS40-10	
/	55	50	40	30	10	5	ERS50-10	

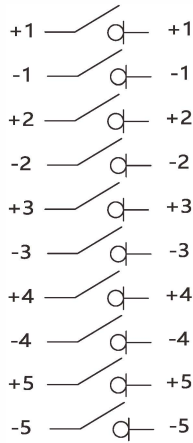
According to EN60947-3, AS/NZS 60947-3

### Sketch Map



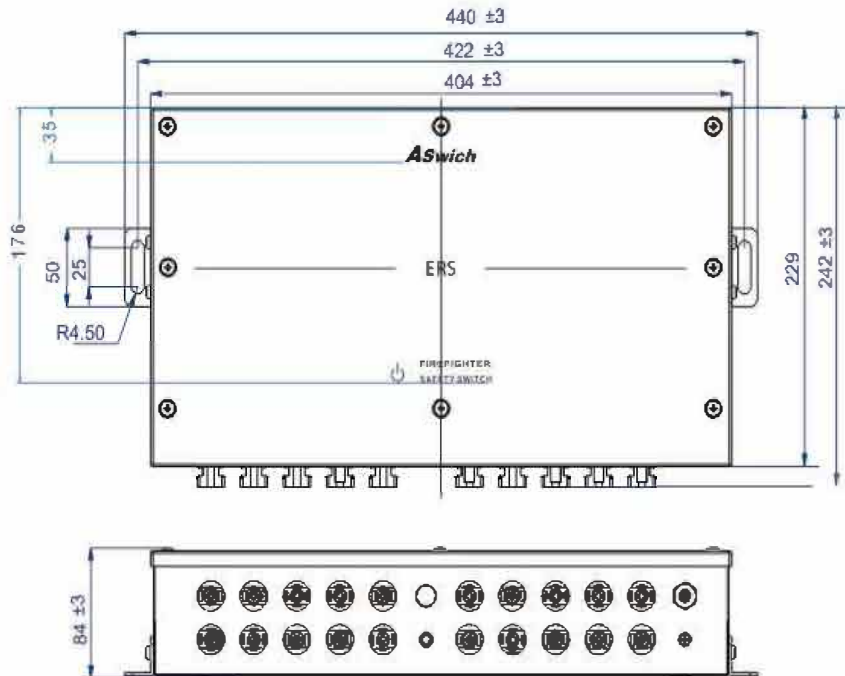
## ERS-10 Series

### ■ Wiring diagram



10

### ■ Product size



Note: the fire safety switch cannot be installed in the place with direct sunlight, and the sun visor is recommended.

# DC RAPID SHUTDOWN SWITCH

ERS-12~20 Large Series



## Product features

- Suitable for 6-10-string modules
- Maximum circuit current 55A
- Maximum circuit voltage 1500vdc
- CE certificated
- Sheet metal material, IP66 protection grade
- Multi clock interface type optional (knockout hole / gland / MC4 terminal)
- The Isolation switches are TUV.CE.CB.SAA certificated
- Waterproof Vent valve to avoid condensation inside the shell
- Advanced temperature sensor is used to detect the highest temperature in the shell in real time temperature, when the internal temperature exceeds 70 degrees, automatic cut-off switch
- It is suitable for residential, industrial and commercial photovoltaic systems

Product naming				
E	RS	□	-	□
1	2	3	4	5

Code	Name	Description
1	<b>ASwiche</b> brand	E
2	Rapid Shut-down Switch	RS
3	Rated Current	13:13A 20:20A 25:25A 40:40A 50:50A
4	Pole	12:12P 14:14P 16:16P 18:18P 20:20P
5	Wiring	Mc4: MC4 terminal / Blank

## ERS-12~20 Large Series

### Main parameter

Standard	Data
Main parameter	ERS
String voltage (VDC)	300~1500
String current (A)	9~55
Circuit	6, 8, 10
Connection mode of Isolation switch	12, 16, 20
Working voltage	100Vac - 270Vac
Rated voltage	230Vac
Rated current	60mA
Starting (loading) current	200mA(AVG)
Action current	600mA(Max)
Contact action condition	24Vdc -600mA(Max)
Operating temperature	-20°C - +50°C
Maximum temperature before automatic shutdown	+70°C
Storage temperature	-40°C - +85°C
Protection level	IP66
Protection level	II
Authentication	CE
The DC isolation switch meets the standard	EN 60947-1&3
Mechanical life	10000
Number of loaded operations (PV1)	>1500

### Technical data

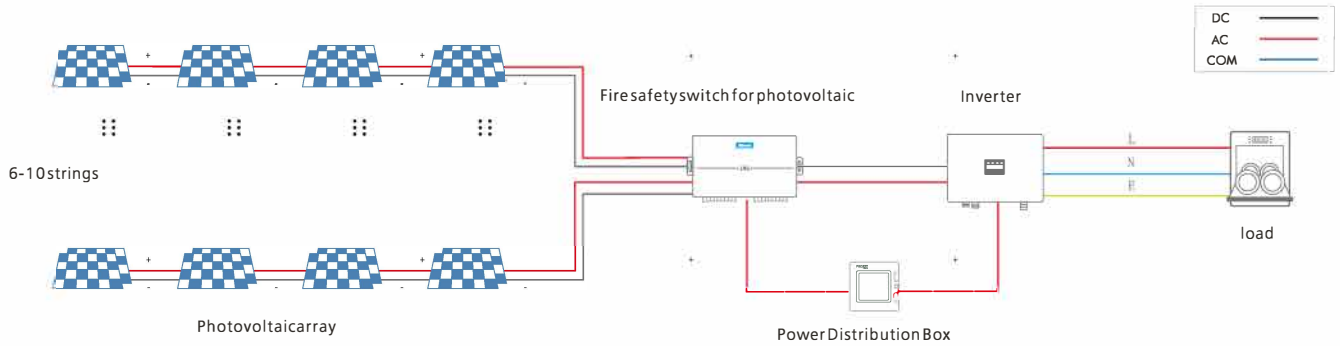
Data of ERS refer to built-in DC isolators. Data according to IEC 60947-3(ed.3.2):2015,UL508i.Utilization category DC-PV1.					Pole number	Circuit	Model
600V	800V	1000V	1200V	1500V			
32	26	13	10	5	12	6	ERS13-12
40	30	20	12	6	12	6	ERS20-12
55	40	25	15	8	12	6	ERS25-12
/	50	40	30	20	12	6	ERS40-12
/	55	50	40	30	12	6	ERS50-12
32	26	13	10	5	14	6	ERS13-14
40	30	20	12	6	14	6	ERS20-14
55	40	25	15	8	14	6	ERS25-14
/	50	40	30	20	14	6	ERS40-14
/	55	50	40	30	14	6	ERS50-14
32	26	13	10	5	16	8	ERS13-16
40	30	20	12	6	16	8	ERS20-16
55	40	25	15	8	16	8	ERS25-16
/	50	40	30	20	16	8	ERS40-16
/	55	50	40	30	16	8	ERS50-16
32	26	13	10	5	18	8	ERS13-18
40	30	20	12	6	18	8	ERS20-18
55	40	25	15	8	18	8	ERS25-18
/	50	40	30	20	18	8	ERS40-18
/	55	50	40	30	18	8	ERS50-18
32	26	13	10	5	20	10	ERS13-20
40	30	20	12	6	20	10	ERS20-20
55	40	25	15	8	20	10	ERS25-20
/	50	40	30	20	20	10	ERS40-20
/	55	50	40	30	20	10	ERS50-20

According to EN60947-3, AS/NZS 60947-3

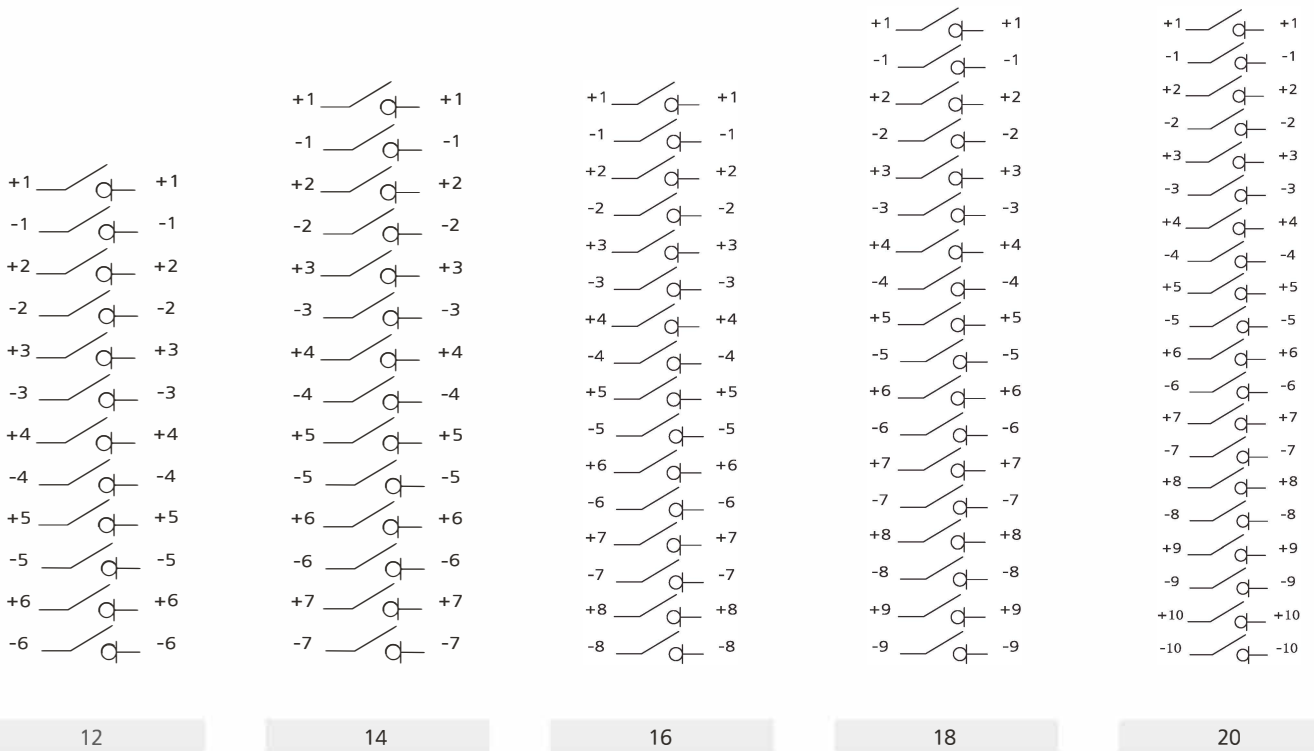
# DC RAPID SHUTDOWN SWITCH

## ERS-12~20 Large Series

### ■ Sketch Map

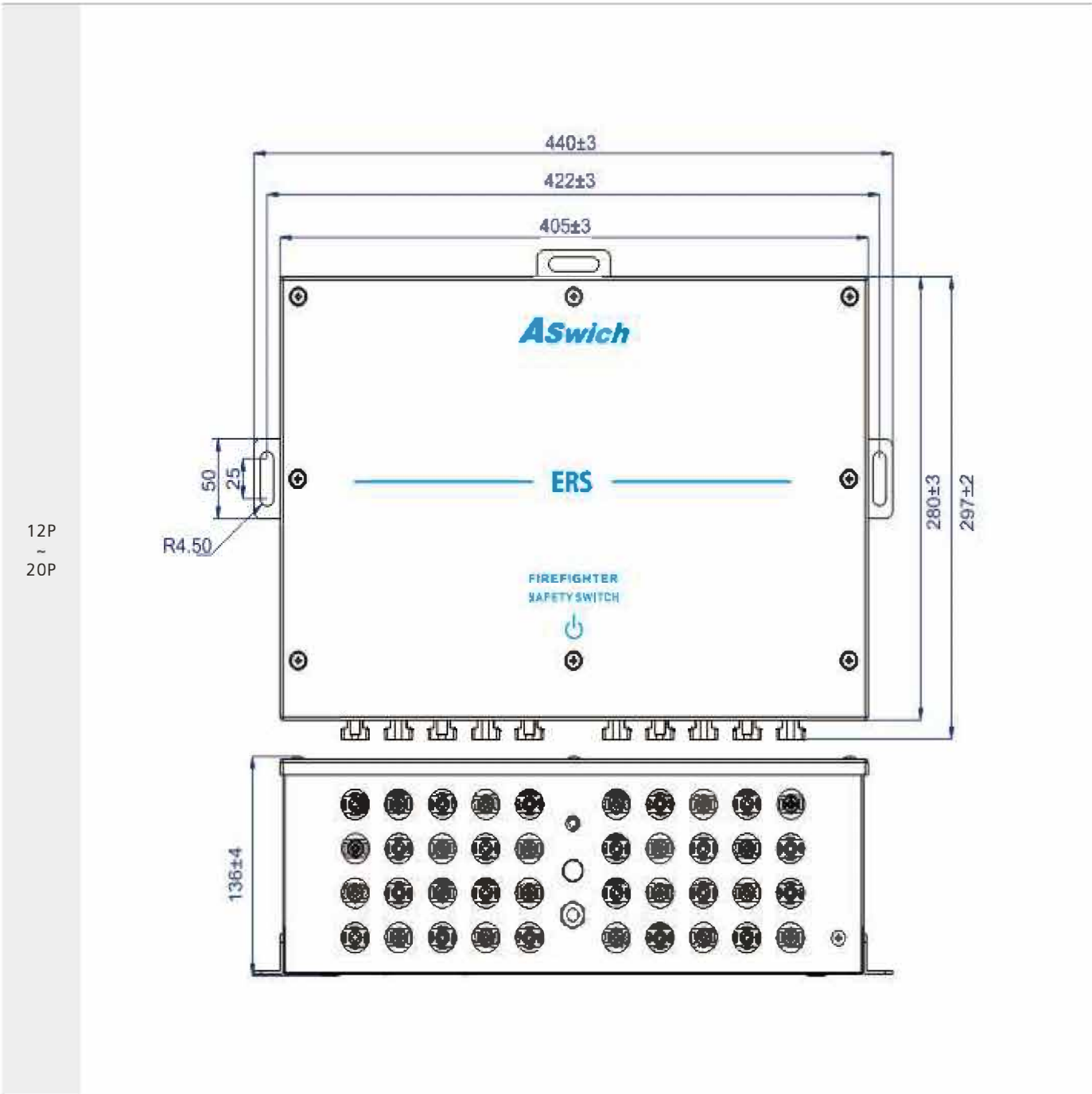


### ■ Wiring diagram



## ERS-12~20 Large Series

■ Product size



Note: the fire safety switch cannot be installed in the place with direct sunlight, and the sun visor is recommended.