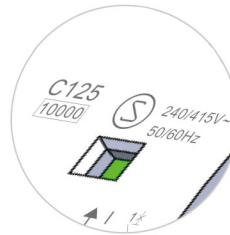
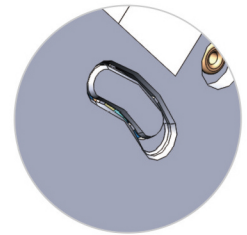


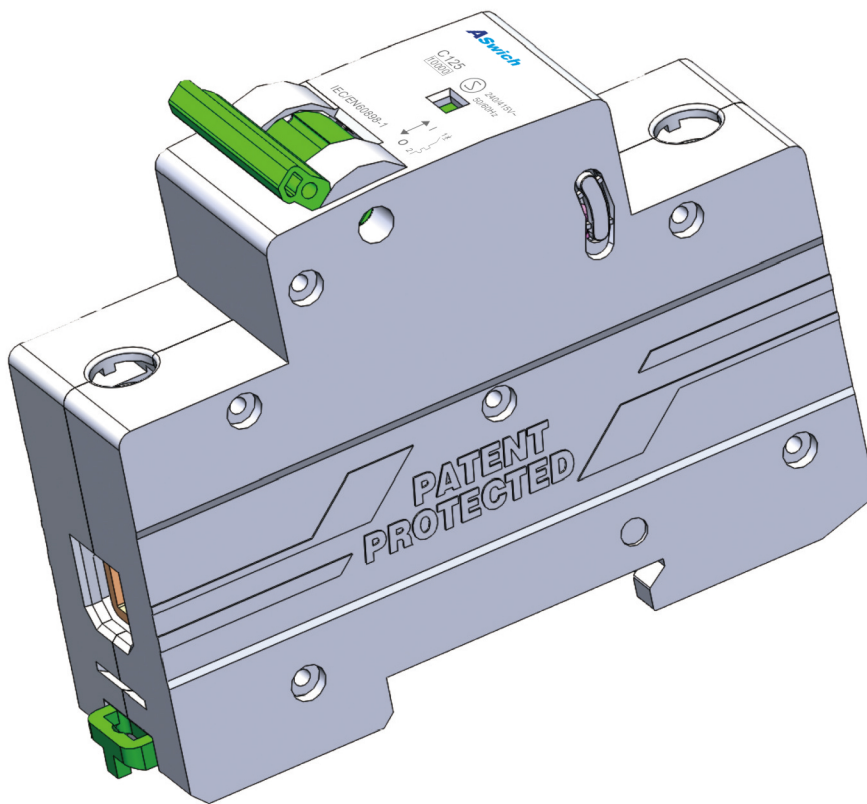
Handle position can be locked



**Red/Green Indication**  
Clear indicate ON/OFF status

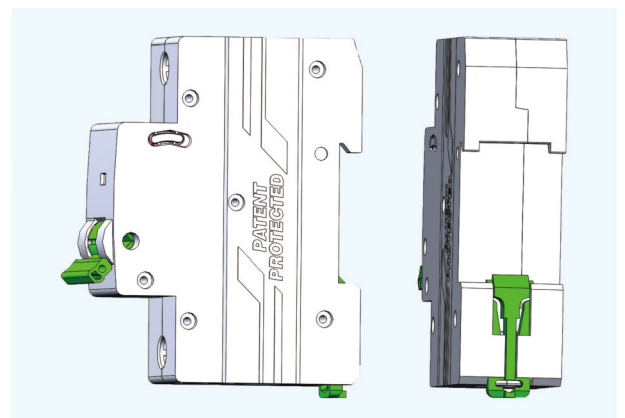


Accessory assembly hole



- Low temperature rise
- Breaking capacity 10kA
- Long mechanical and electrical endurance over 20000 cycles operation
- Rated current 125A

# ASM1-125(10KA) MCB



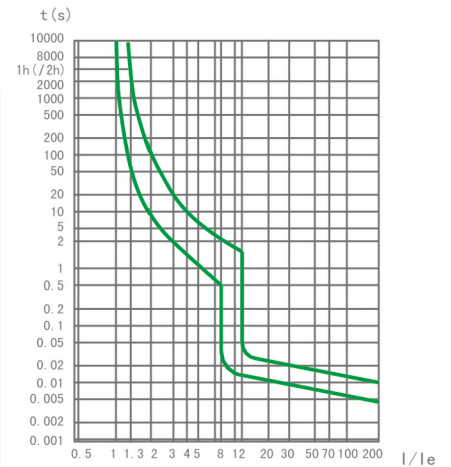
# ASM1-125

## MINIATURE CIRCUIT BREAKER



### Technical Data

Rated current (In)	80A, 100A, 125A
Poles	1P 2P 3P 4P
Rated voltage (Ue)	1P: 240/415V~ 2/3/4P: 415V~
Insulation voltage (Ui)	500V
Rated frequency	50/60Hz
Rated breaking capacity (Icn)	10KA
Rated operating short circuit breaking capacity (Ics)	7.5KA
Tripping curve	C D
Electrical and Mechanical life	20000



### Overload Current Protection Characteristics

Rated Current (A)	Test Procedure	Test Current	Initial State	Tripping or Non-tripping Time Limit	Expected Result	Remark
80A 100A 125A	A	1.05In	cold	$t \leq 2h$	no tripping	
	B	1.3In	After test A	$t \leq 2h$	tripping	The current steadily rises to the specified value within 5s
	C	2.55In	cold	$1s < t < 120s$	tripping	
				$t \leq 0.2s$	no tripping	Turn on the auxiliary switch to close the current
D	12In	cold	$t < 0.2s$	tripping		

# ASM1-125

## MINIATURE CIRCUIT BREAKER

### Installation

Contact position indicator	Yes
Protection degree	IP20
Reference temperature for setting of thermal element	30°C
Ambient temperature	-5~+40°C and its average over a period of 24h does not exceed +35°C
Storage temperature	-25~+70°C
Terminal connection type	Cable/Pin -type busbar
Terminal size top/bottom for cable	50mm <sup>2</sup>
Tightening torque	2.5N.m
Mounting	On DIN rail FN 60715 (35mm) by means of fast clip device
Connection	Top and bottom

### Combination with accessories

Auxillary contact	YES
Alarm contact	YES
Shunt release	YES
Under voltage release	YES

### Overall & Installation Dimensions

