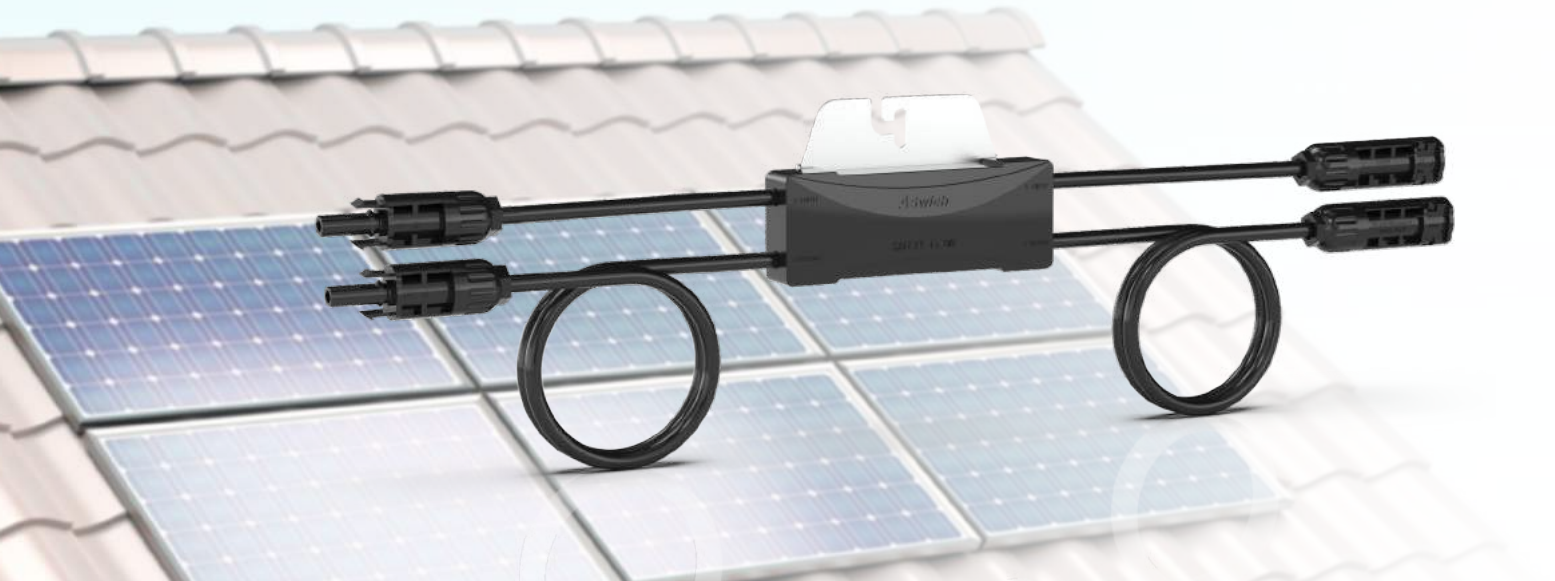


DC RAPID SHUTDOWN SWITCH

ERP-P15S



Shutdown while ambient temperature is over 85°C



Slim size match module perfectly



Flame retardant rating: UL94-V0



Protection Level: IP68

Shutdown Mode

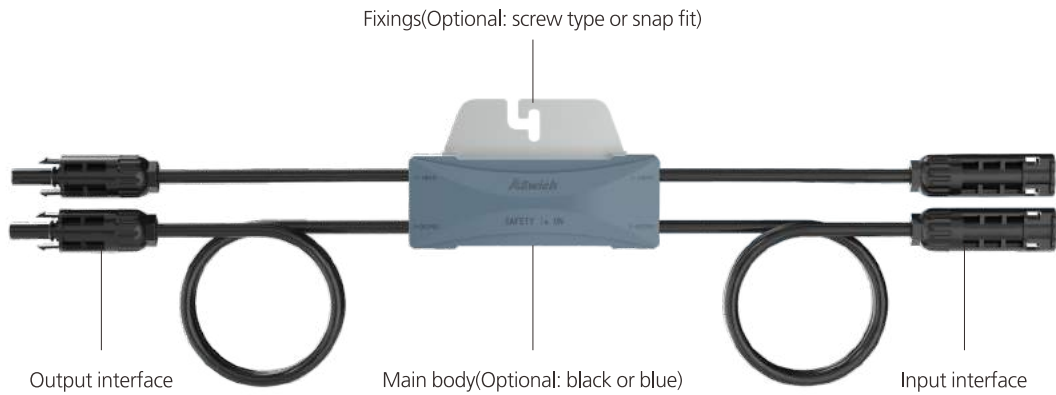
Automatic Shutdown	Manual Shutdown	Manual Shutdown
<p>Automatically shutdown the DC power of panels when detecting temperature of the area is higher than 85°C.</p>	<p>In an emergency, firefighters or homeowners can manually turn off the AC power of the distribution box.</p>	<p>In an emergency, it can be shut down manually through the Panel Level Rapid Shutdown Controller Box.</p>

Product naming					
E	RP	□	□	□	□
1	2	3	4	5	6

Code	Description	Name	
1	Electric	E	
2	Rapid shut-down switch/Panel Level	RP	
3	Curent rating	15:15A	25:25A
4	Communication	P:PLC	W:Wifi
5	PV Input	S:Single	D:Dual
6	Installation mode	S:Screw type	C:Clip type

PRODUCT INTRODUCTION

Product details



Main body colors



Optional: ■ blue



Optional: ■ black

Product back



Optional: screw type



Optional: clip type

Main parameter

Standard	Data
Maximum Allowed Input Voltage	80V
Maximum Output Voltage	80V
Number of connectable panels	1/2
Maximum input current	15A / 25A
Maximum short circuit current	15A / 25A
Maximum system voltage	1000V(1500 optional)
Operating temperature	Negative 30-80°C (automatically shut down if over 85°C)
Operating environment temperature	Negative 30°C~+55°C

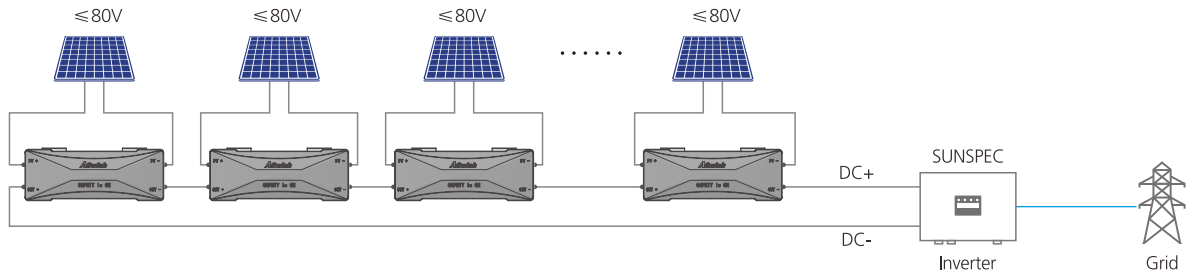
Standard	Data
Supply voltage	PV panels
Protection level	IP68
Fire-proof level	UL94-V0
Humidity	0%~90% at 20°C
Interface	MC4
Warranty	10 Years
Panel cable length	280±10mm
String cable length	1280±10mm
Communication	PLC
Standards compliant	UL 1741/NEC 2017 690.12

DC RAPID SHUTDOWN SWITCH

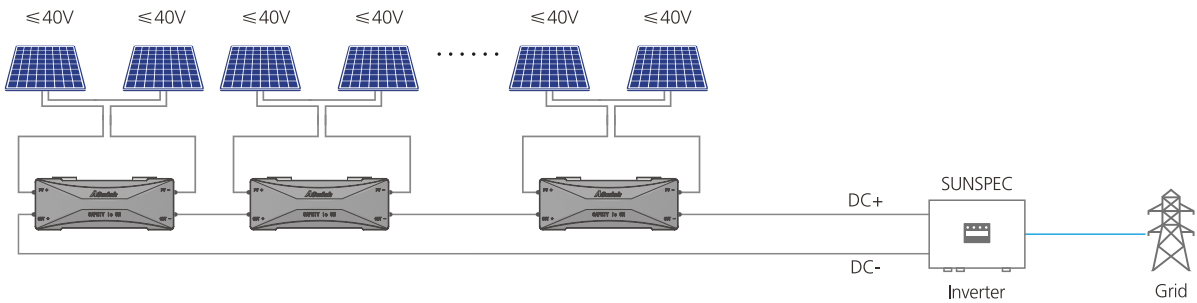
PRODUCT INTRODUCTION

The inverter contains sunspec

When the open-circuit voltage of PV panel is below 80V.

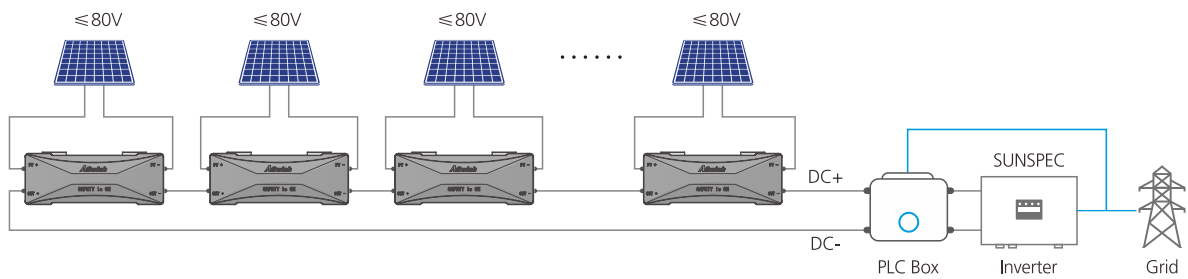


And When the open-circuit voltage of PV panel is below 40V.

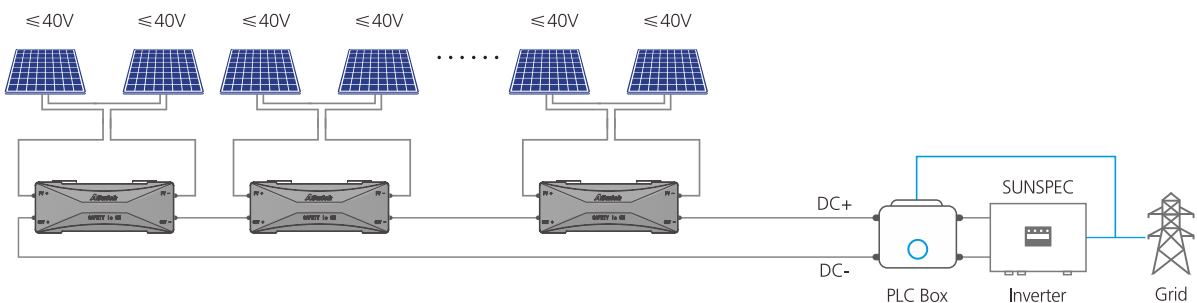


The inverter does not contain sunspec

When the open-circuit voltage of PV panel is below 80V.



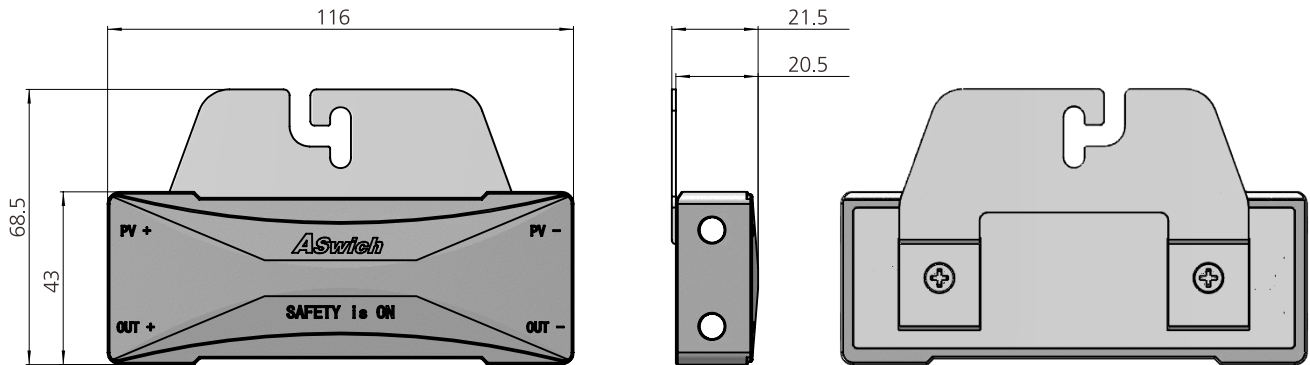
And When the open-circuit voltage of PV panel is below 40V.



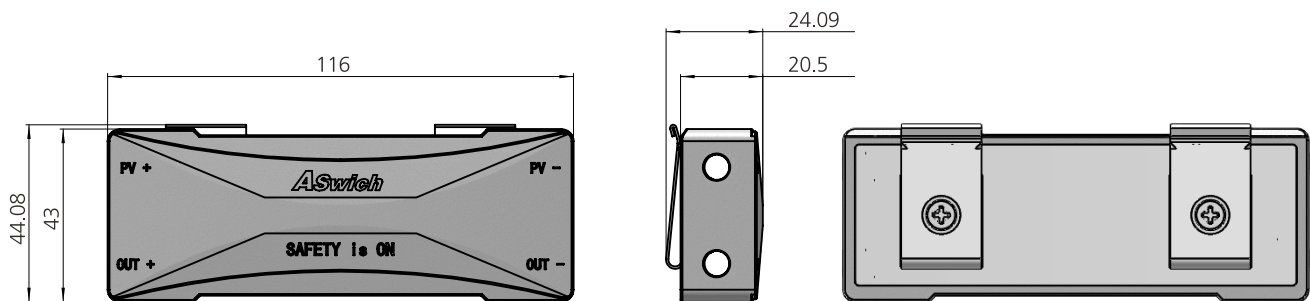
PRODUCT INTRODUCTION

Dimensions

Screw type



Clip type



Note: the fire safety switch cannot be installed in the place with direct sunlight, and the sun visor is recommended.