

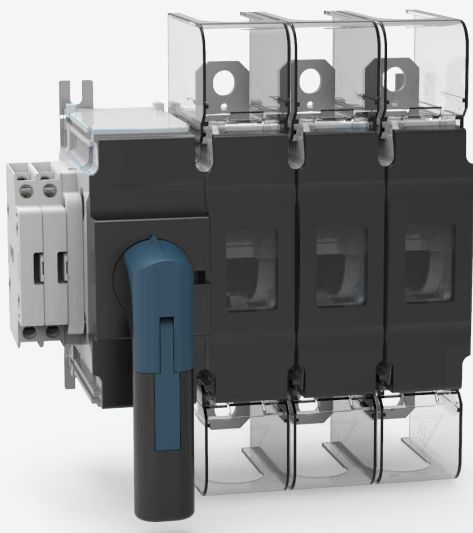


DC Isolation Switch

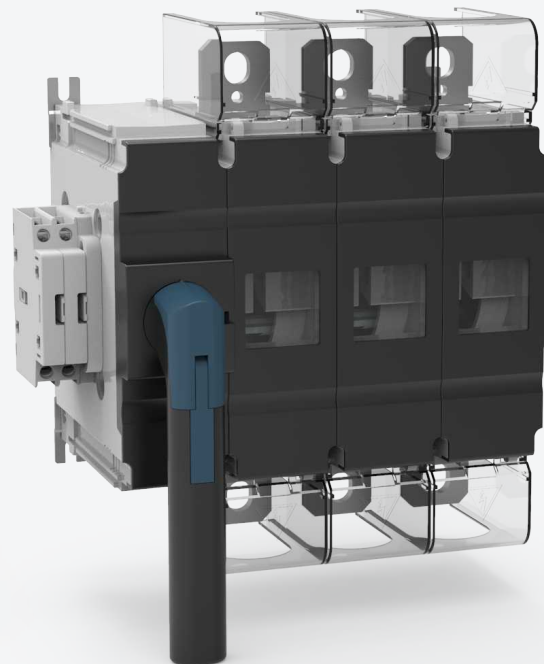
EHD High Voltage DC Disconnect

Leading Manufacturer Protects Solar Power Safety

Rev5.0 2023/07/12



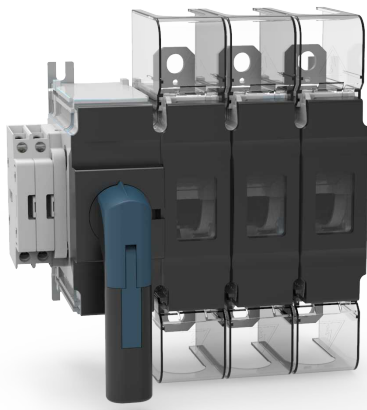
EHD-315



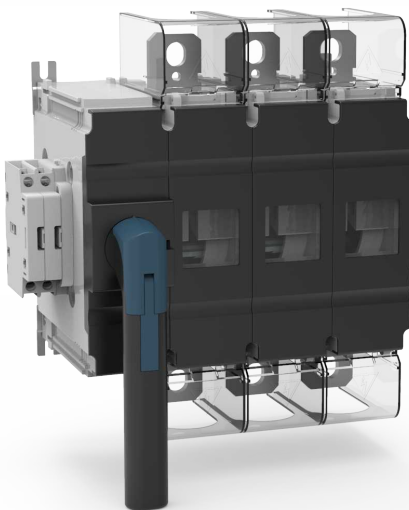
EHD-630

DC ISOLATION SWITCH

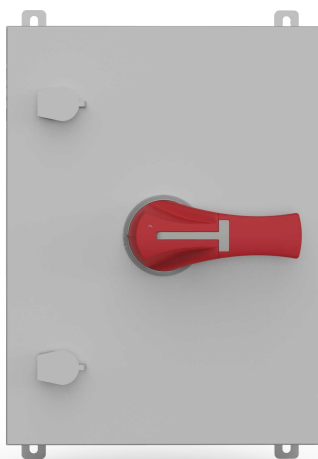
EHD High Voltage DC Disconnecter



EHD-315



EHD-630



Product Benefits

Easy to install

- Wiring: Switch is non-polarized, all types of wiring and connections are possible.
- Easy access without tools, and auxiliary contacts can be integrated without tools.
- The operating mechanism can be centered to meet the installation requirements.

Safe reliable operation

- Reliable position indicator through visible contacts.
- The opening and closing of the switch is fully independent from the speed of operation, ensuring safe operation under all conditions.
- High temperature withstand: no derating up to 70°C.
- Ambient Temperature: -40°C to +70°C.

Designed for harsh environments

- Vibration testing (from 13.2 to 100 Hz at 0.7 g).
- Shock testing (15 g during three cycles).
- Humid temperature testing (2 cycles, 55°C/131F with 95% humidity level).
- Salt mist testing (3 cycles with humidity storage, 40°C/104F, 93% humidity after each cycle).

AUX. contact easy-mounting

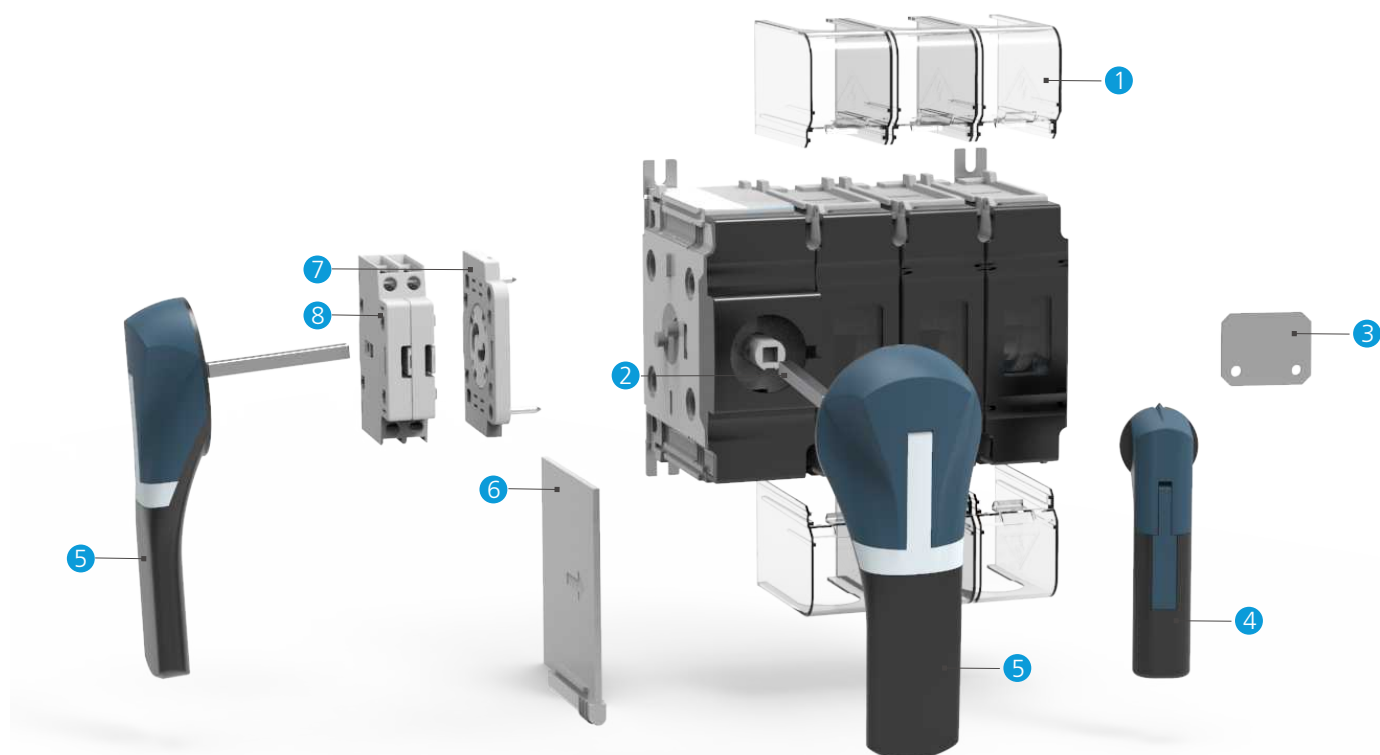
- Side mount PE pole
- Side mount auxiliary contact:
1NC1NO or 2NO

Select Code

No	Description	Code
1	High voltage DC disconnecter	EHD
2	Rated Voltage	N:1000Vdc T:1500Vdc
3	Installation method	DB: Directly operate the handle in the cabinet DC: Outside handle EL: Plastic enclosure box ELA: Metal enclosure box
4	Rated current	160, 250, 315, 315H, 400, 630, 800
5	Knob lock	R: With lock Nils: Without lock
6	Pole array	02, 11, 03, 12, 04, 22, 20, 21, 30, 40

*Note: The left digit represents the number on the left side of the operating mechanism, and the right digit represents the number on the right side of the operating mechanism

EHD High Voltage DC Disconnect



- | | | | |
|---------------------------|-----------------|----------------|-------------------------------|
| ① Terminal shroud | ② Extension rod | ③ Bridge bar | ④ Direct handle |
| ⑤ Door interlocked handle | ⑥ Phase barrier | ⑦ AUX. coupler | ⑧ AUX. contact(2no or 1NC1NO) |

DC ISOLATION SWITCH

EHD High Voltage DC Disconnecter

Technical Data

Rated current Ie				160A	250A	315A	315H	400A	630A	800A	
Frame size				EHD-315				EHD-630			
Thermal current (Ith)				160	250	315	400	400	630	800	
Rated insulation voltage (Ui)				1500	1500	1500	1500	1500	1500	1500	
Rated impulse withstand voltage Uimp (KV)				12	12	12	12	12	12	12	
Code	Number of poles		Rated voltage	Utilisation category	Ie(A)	Ie(A)	Ie(A)	Ie(A)	Ie(A)	Ie(A)	
EHDN	2P(1P+,1P-)	4P(2P+,2P-)	1000VDC	DC-PV1/DC-21B	160	250	315	400	400	630	
EHDT	2P(1P+,1P-)	4P(2P+,2P-)	1500VDC	DC-PV1/DC-21B	160	250	315	400	400	630	
EHDT	3P(2P+,1P-)	6P(4P+,2P-)	1500VDC	DC-PV1/DC-21B	-	-	-	-	-	-	
	Number of poles		Rated voltage	Utilisation category	Ie(A)	Ie(A)	Ie(A)	Ie(A)	Ie(A)	Ie(A)	
EHDN	2P(1P+,1P-)	4P(2P+,2P-)	1000VDC	DC-PV2	160	250	315	-	400	630	
EHDT	2P(1P+,1P-)	4P(2P+,2P-)	1500VDC	DC-PV2	100	160	250	-	400	630	
EHDT	3P(2P+,1P-)	6P(4P+,2P-)	1500VDC	DC-PV2	-	-	315	-	-	800	
The short-circuit capacity is between 1000 and 1500VDC (no protection)											
Rated short time withstand current Icw 1s (kAeff)				Icw	5	5	5	5	8	8	
Rated short-circuit making capacity Icm(kA peak)- 60 ms				Icm	10	10	10	10	10	10	
Cable											
Recommended Cu rigid cable cross section(mm)					70	120	185	185	240	2x185	2x240
Recommended Cu busbar width(mm)					20	20	20	20	25	25	25
Mechanical characteristics											
Durability (number of operating cycles)					8000	8000	8000	8000	8000	8000	8000
Number of cycles of operation with current					1000	1000	1000	1000	1000	1000	

Add-on Auxiliary Contacts



Type	EAS80-P1	EAS80-P2
Contacts	1NO+1NC	2NO
Width	9mm	9mm
Parameter	AC-13: 10A, 230V~	AC-15: 6A, 230V~
Function	1NO+1NC 13 21 14 22	2NO 13 23 14 24

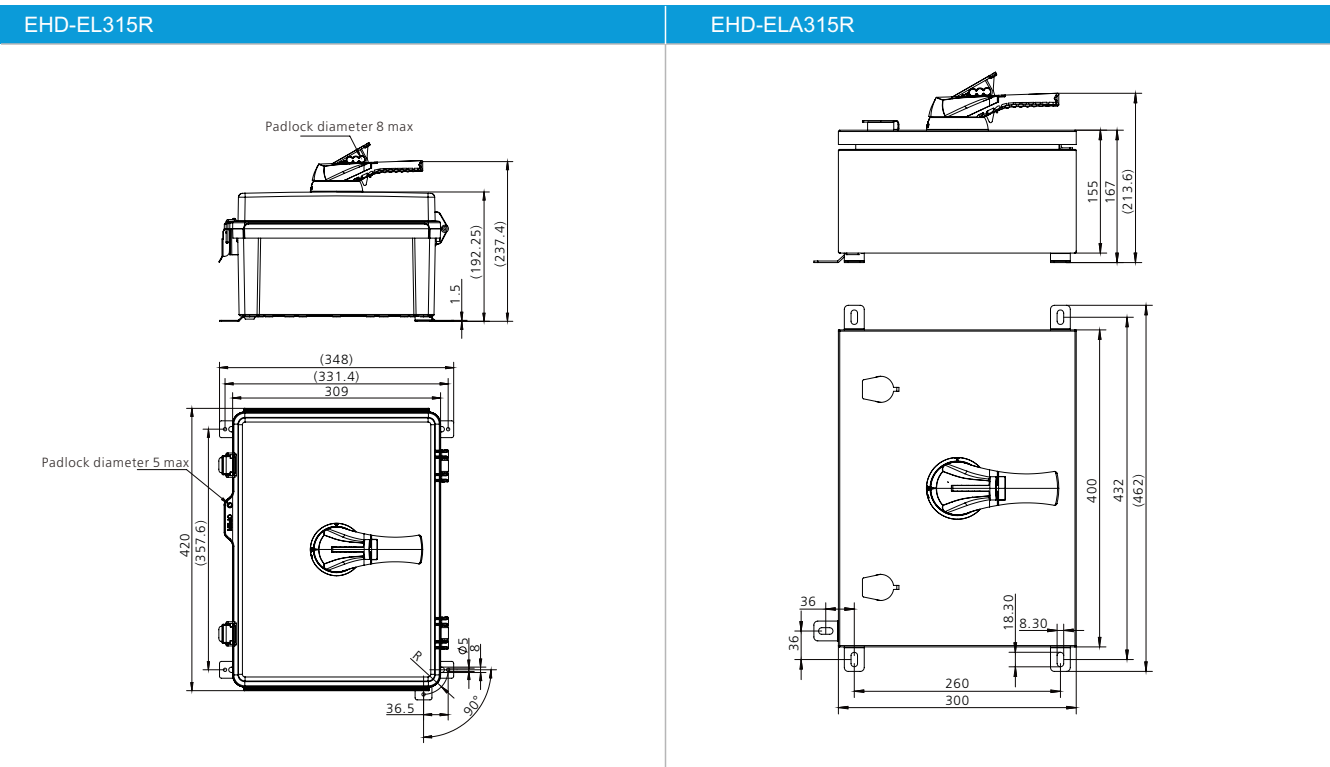
EHD High Voltage DC Disconnect

Dimensions: Frame 315, Ith=160A, 250A, 315A, 400A

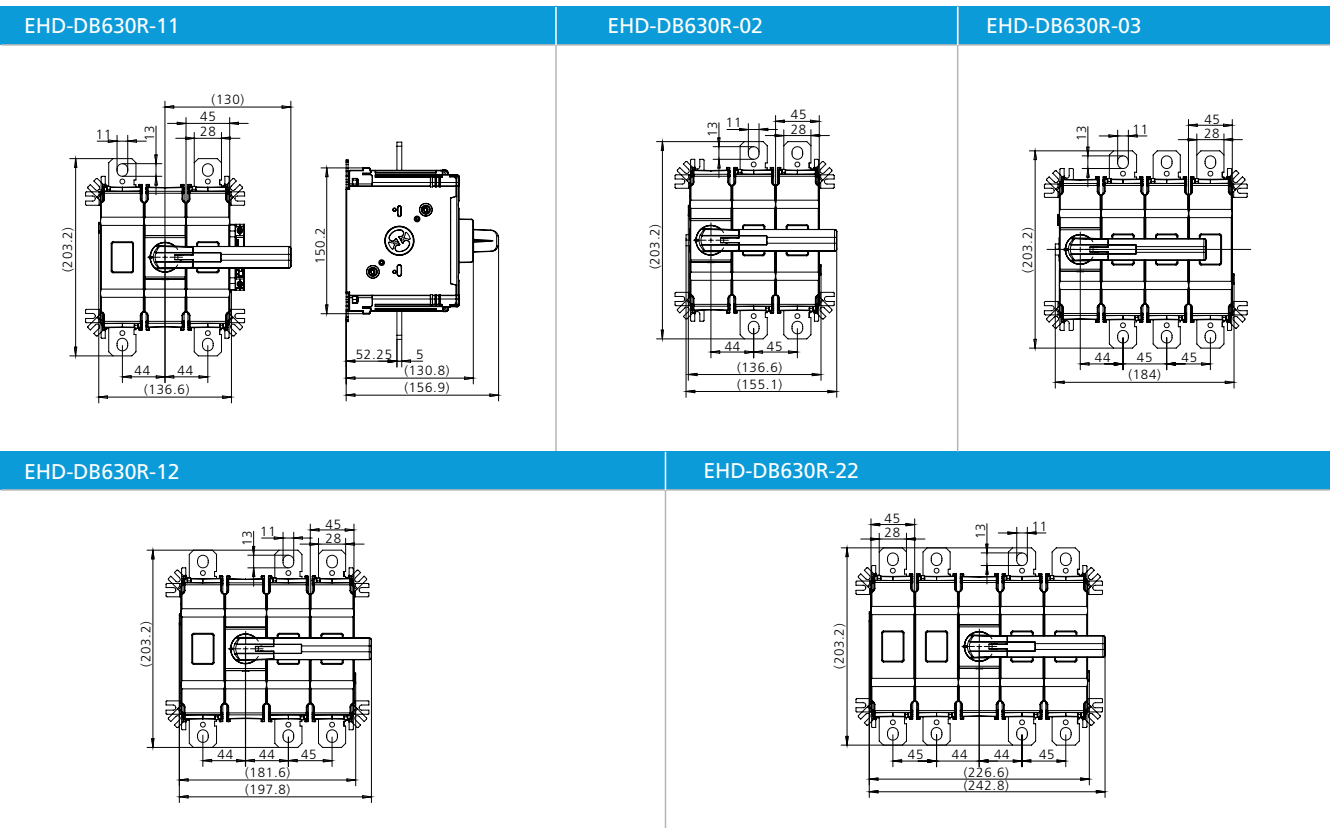
EHD-DB315R-11	EHD-DB315R-02	EHD-DB315R-03
EHD-DB315R-12	EHD-DB315R-22	
EHD-DC315R-11	EHD-DC315R-02	
EHD-DC315R-03	EHD-DC315R-12	EHD-DC315R-22

DC ISOLATION SWITCH

EHD High Voltage DC Disconnecter

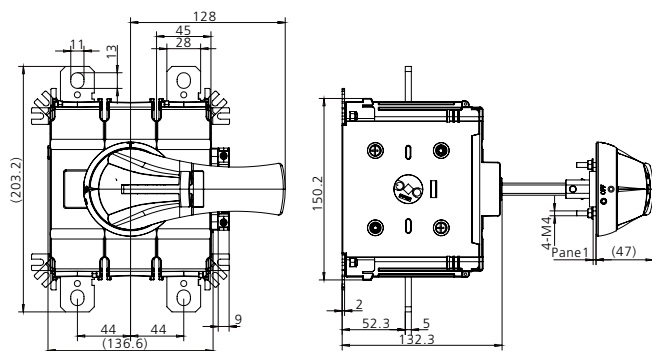


Dimensions: Frame 630, Ith=400A, 630A, 800A

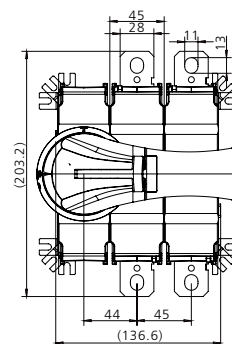


EHD High Voltage DC Disconnect

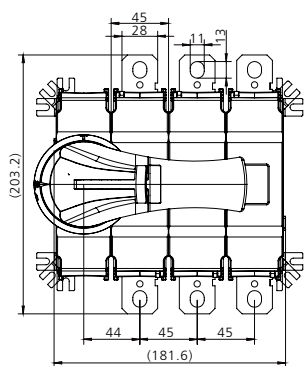
EHD-DC630R-11



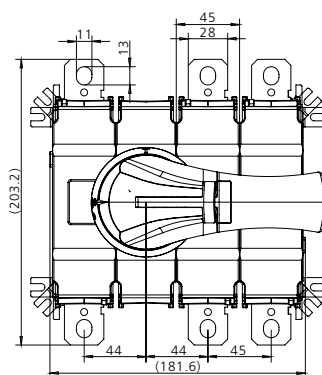
EHD-DC630R-02



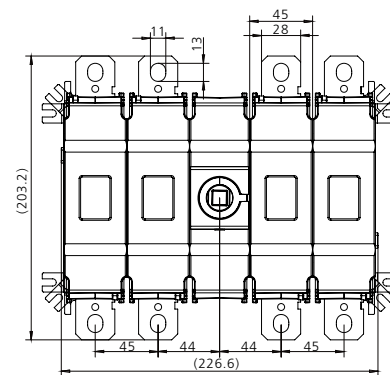
EHD-DC630R-03



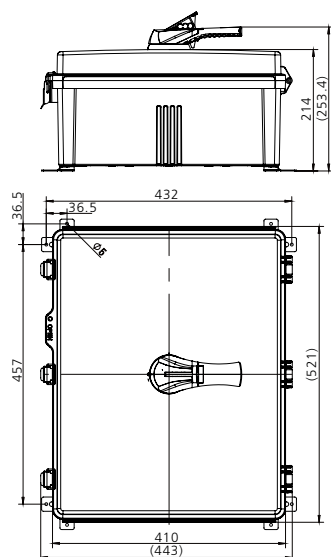
EHD-DC630R-12



EHD-DC630R-22



EHD-EL630R



EHD-ELA630

